

## 15" Media Player KTK-015-MP

Designed especially for indoor communication and advertising, features 15" LCD monitor with 4:3 format loop video display and built-in speakers. Media files are stored and played back from a plug-and-play CF card, and updated automatically through USB key. Optional functions include motion sensor and scrolling text.



### Enclosure

ABS plastic enclosure available in multi color

### Acrylic protection sheet

Available with customized graphic printing

### Support Media Format

VCD, MPEG4(Divx,Xvid), DVD,MP3,JPEG

### Storage Media

CF/SD (with lock protection) All sizes: 512MB/1GB/2GB/4GB/8GB

### Download Media

USB – Auto download from USB to CF with security code for protection

### Panel Specifications

Panel: SVA panel A

Screen ratio: 4:3

Resolution: 1024 x 768

View Angle (H/V): 160/160

Brightness: 250cd/m<sup>2</sup>

Contrast ratio: 600:1

Response Time (ms): 8ms

Display color: 16.77M

### Audio Output

Built-in L/R speakers 3W x 2

### Power

Power Input: AC100-240V, 50/60HZ

Power Consumption: 40W

### OSD Language

Multi-language

### Start Picture

Customized Start-picture can be updated by USB

### Playback Mode

Videos can be set to play in a continuous loop either individually or in sequence

### Button Control and Remote Control

Easy to control the OSD menu and set up the playback mode by buttons and remote control

### Timer Function by remote control

Daily timer for auto power on/off

### Connections (Optional)

VGA,RCA

### Motion Sensor (Optional)

Optional motion sensor detector controls the audio/video track, to ensure that sound/video only plays when people are near

### Scrolling Text (Optional)

Optional scrolling text function to deliver instant message

### Accessories

User manual × 1pcs Remote control × 1pcs

Battery 1.5V × 2pcs Stand × 1pcs

### Dimensions

360 (L) x 68(D) x 330(H)---w/o stand

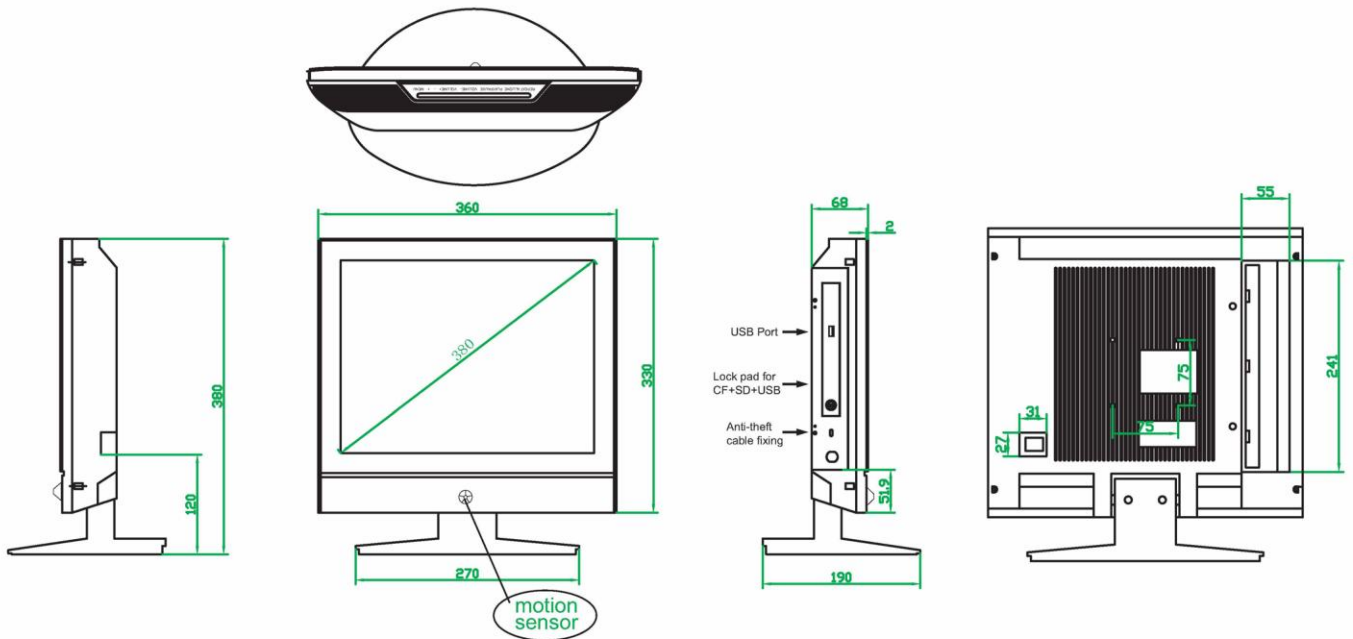
360 (L) x 190(D) x 380 (H)---w stand

### Weight

Weight: 3.3kgs

(All sizes are in mm)

with motion sensor



without motion sensor

